

Cila

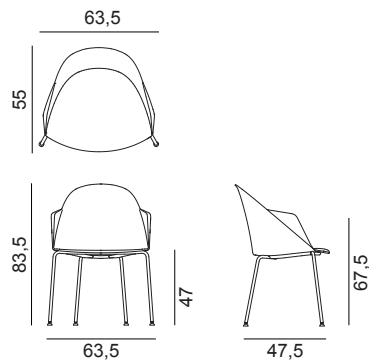
Design by Liovore Altherr, 2018

Art. 2222

Armchair with four-leg base made of chromed or powdercoated steel. Shell fully upholstered in fabric, leather, coated fabric, or customer's material. Optional glides with felt for wooden floors are available upon request.



Dimensions *



* File CAD 2D - 3D available for download at www.arper.com

Frame Base



Shell

arper

www.arper.com



info@arper.com

Cila

Design by Lievore Altherr, 2018

SHIPMENT DETAILS

Art.2222

1 pz = 2  - kg 13,13/ m³ 0,398
4 pz = 2  - kg 39,06/ m³ 0,564

RESISTANCE TEST

- TUV GS (EN16139)

ENVIRONMENTAL CERTIFICATIONS



TECHNICAL SPECIFICATIONS

Art.2222

COL requirement m² 3.3
H 140 cm. COM Meterage m 1.47
*Classe 1, 2, 1IM: fire retardant version available with surcharge and eventual minimum batch

FIRE RETARDANT TEST

arper

www.arper.com
info@arper.com

www.arper.com